



Q7 Pro Series QLED Android TV

50Q75A
55Q75A
65Q75A
75Q75A

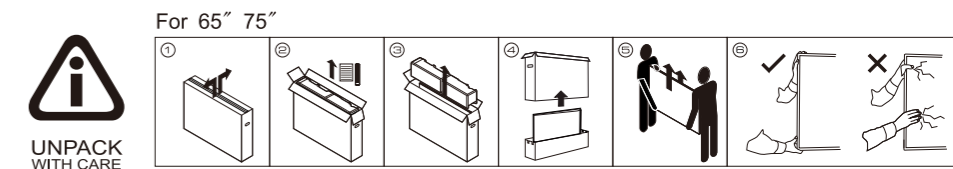
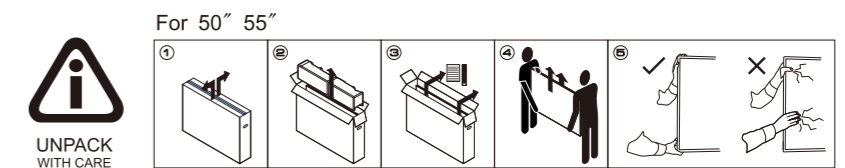
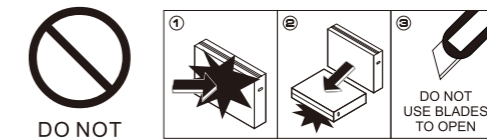
PREFACE

1. Read this Quick Start Guide before starting Set-up
2. Then, carefully follow the Instructions, heeding all Warnings
3. Do Not remove the TV back cover or block the TV ventilation openings
4. Do Not use the TV near water or a heat Source
5. Do not pinch or cut the Power Cord
6. Only use Accessories that are approved by Konka

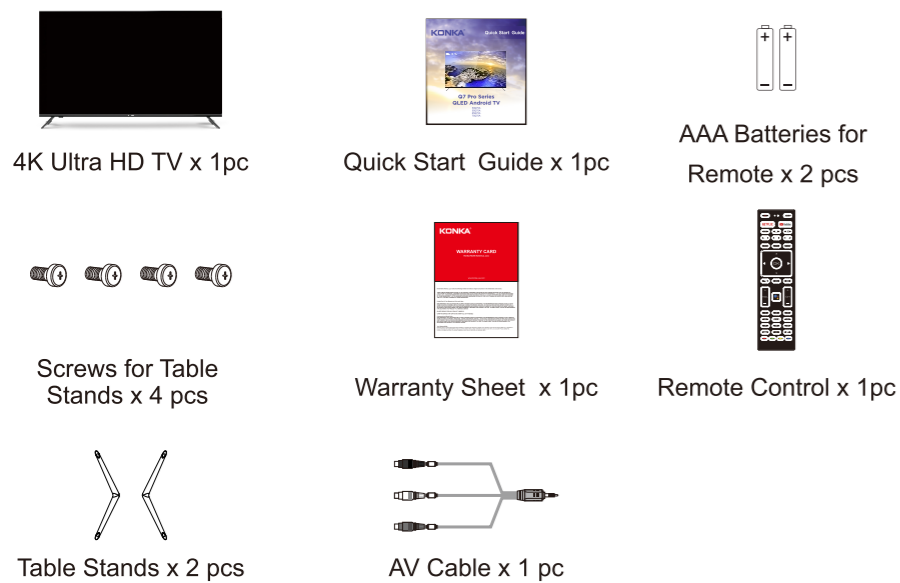
*See the appropriate Owner's Manual at www.Konka-USA.com for additional safety information

1. Unpack the TV and Accessories from the Carton Box

1. Please see the unpacking instructions on the top of the carton box (and below)
2. As noted, be careful not to grab or put pressure on the TV screen
3. Check the carton box carefully for all included Accessories



2. Package Contents

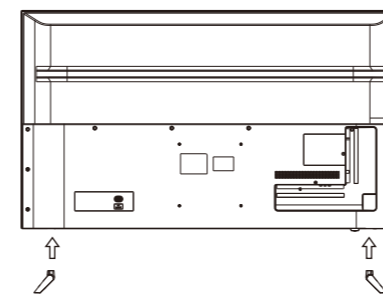


3. What You Will Need for Set-up (Not Included)

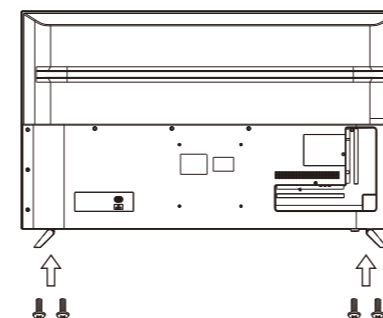
- Philips Head Screwdriver
- Internet Connection (Needed for Smart TV Streaming)
- Wireless Router (Needed for Smart TV Streaming)
- Computer, Tablet or Smart Phone (Needed for Smart TV Set-Up)

4. Attach the Table Stands

1. Put a cloth or towel on a flat surface (to protect the TV). Place the TV on the cloth or towel, display side down. Attach the Table Stands to the appropriate brackets on the bottom of the TV.



2. Insert the Four Screws into the Table Stands (2 each) and Firmly Hand Tighten.



3. Place the TV upright on the Table Stands.

(Note: The Table Stands do Not swivel; do Not attempt to rotate)

5. Wall Mounting

1. If you are going to mount your TV on a Wall, do Not attach the Table Stands.
2. The VESA Mounting Pattern for your TV is:

Models of 50"	Purchase a VESA 200x200 mount (requires qty. M6x12 screws)
Models of 55"	Purchase a VESA 200x200 mount (requires qty. M6x16 screws)
Models of 65"	Purchase a VESA 400x200 mount (requires qty. M6x16 screws)
Models of 75"	Purchase a VESA 400x300 mount (requires qty. M6x16 screws)

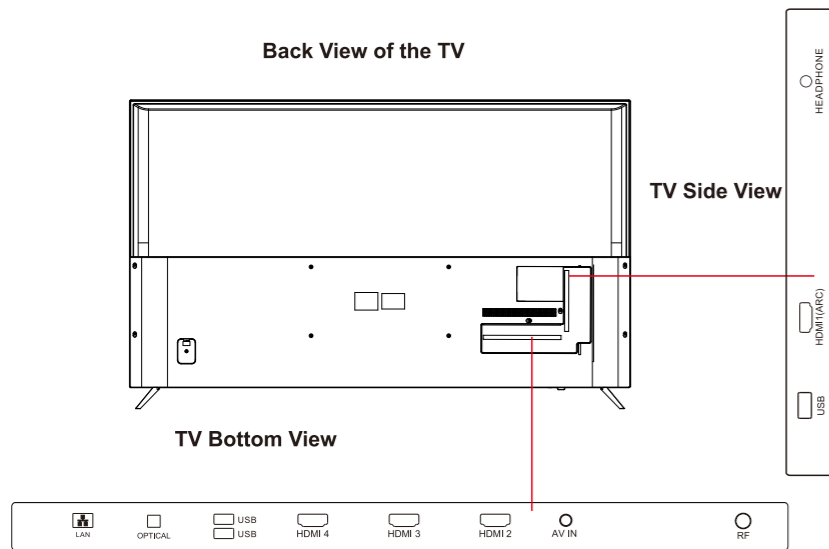
3. Carefully follow the installation instructions that come with your Wall Mounting Bracket (For optimal safety, utilize a Wall Mount that is rated for at least 5 times the weight of the TV)

6. Connect The TV

1. Insert the female end of the Power Cord into the back of the TV. Then carefully plug the standard AC plug end into a 120v AC outlet.
2. If you are connecting other devices to the TV, utilize the appropriate optional cables and connect to the appropriate ports on the back or side of the TV.

*See the On-Line Owner's Manual for additional instructions.

Location of Connections

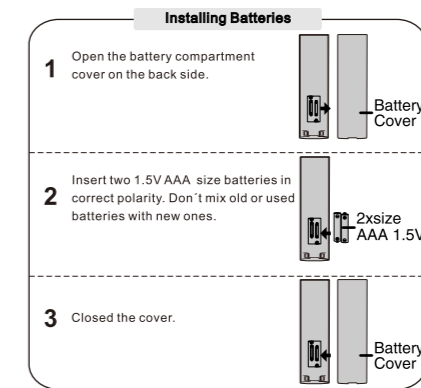


TV label	Cable	External Equipment
ANT/CABLE		Antenna VHF/UHF Antenna Cable ANT OUT
HDMI		VIDEO EQUIPMENT
AV IN	VIDEO 	Camcorder
	L 	
	R 	
USB		
OPTICAL		Audio Receiver
HEADPHONE		
LAN		

The TV can be connected to the following devices: Cable Box, Satellite Box, Antenna, Video Game, Stereo System, Sound Bar, Headphones, Blu-ray Player, DVD Player, VCR, Streaming Box or Stick, Camcorder, etc.

7. Prepare The Remote Control

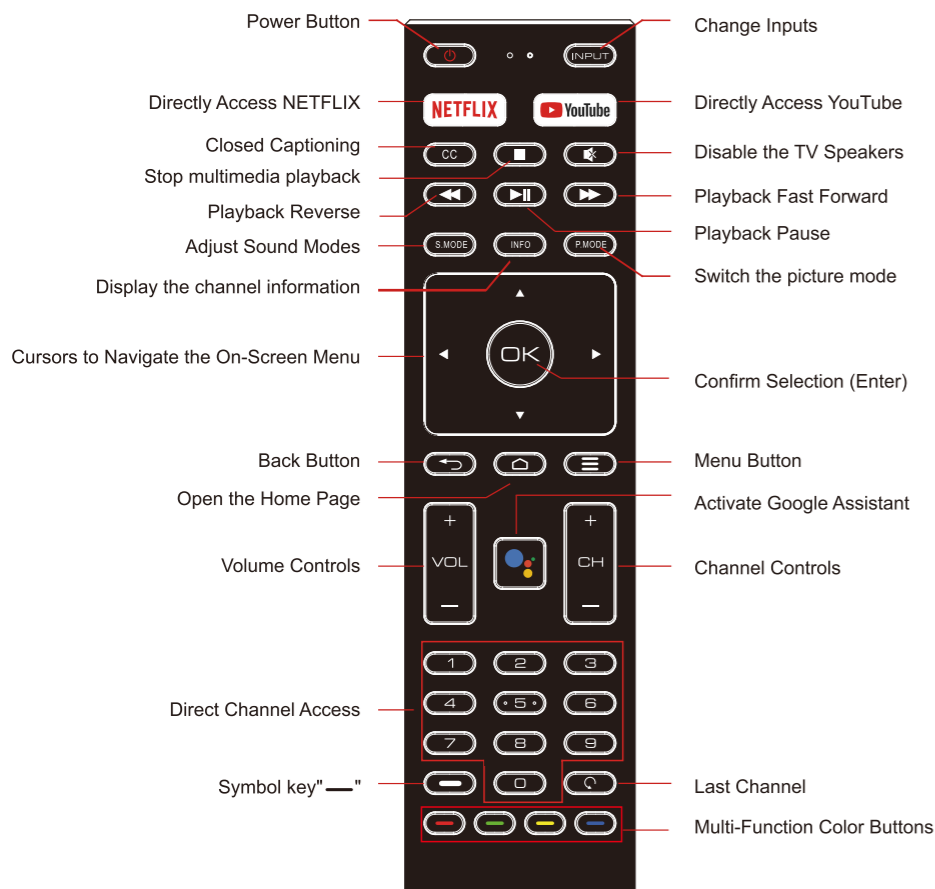
Remove the battery cover and insert the provided batteries. Then replace the battery cover.



Note:

- Batteries should last approximately one year under normal use (actual use will vary).
- If the TV will remain inactive for an extended period of time, remove the batteries from the remote control to avoid possible damage due to leakage.
- Do not mix new and old batteries or different types of batteries
- Do not throw batteries into fire or water
- Do not expose the batteries to other excessive heat, such as direct sunlight

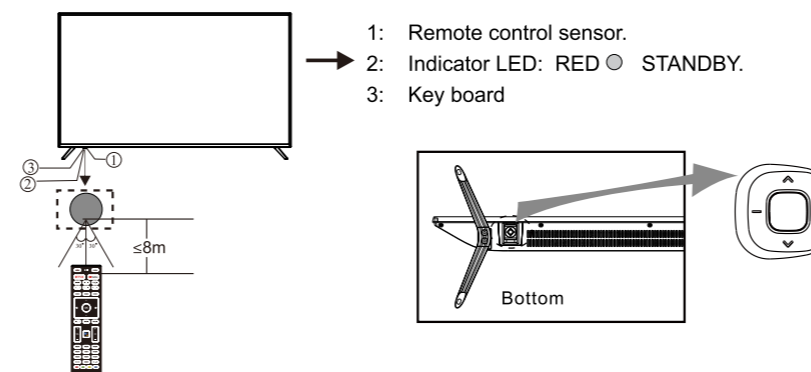
Remote Buttons



8. SET-UP THE TV (Using the Remote Control)

1. Point the Remote Control at the front of the TV (the sensor is on the bottom left)
 2. Press the Red Power Button at the Top of the Remote
Note: TV Controls on the TV are located on the bottom, on the Left Side of the TV (If the TV is in Boot State, a Long Press on the Power Button under the TV might be necessary)
 3. Press the Home Button on the Remote
 4. The first time you turn on the TV you will need to go through the initial set-up process
 5. You will need to Pair the Remote with the TV. Simply hold down the Left Cursor Button and the Menu Button simultaneously for 5 seconds when prompted. When the name on the back of the Remote appears on the TV screen, select that name and press the OK Button. The Remote should now operate the TV and Google Assistant using Voice Control
Note: If the Pairing is not successful, try again
 6. Follow the On-Screen Set-up Wizard Instructions to complete the TV and Streaming Set-up
 7. Once the Set-up is finished, to exit Android TV and access another component such as a Cable Box, press the Input Button
- *For more detailed TV information see the appropriate Owner's Manual posted on the www.Konka-USA.com Website.

Front panel



9. Enjoy Your New Konka QLED Android TV!

10. Trouble Shooting

Having trouble?
Don't worry, it's usually an easy fix.

Issues	Possible solutions
Poor Picture (Snow, Ghosting, etc)	a. If utilizing an Antenna, check the Connection, and adjust the Antenna Position or Direction. Also, try a different channel. b. Check for nearby electronic equipment, fluorescent lights, or engines (car, motorcycle) that might cause interference
No Picture	a. Check if Power Cord is properly inserted into the TV and into the wall socket. b. Check if the TV is plugged into a switched outlet that is turned off c. Check if the TV Power is On. If utilizing a Video Source Device (Cable Box, Satellite Box, Blue-ray Player, etc.), make sure the device is plugged in to a working outlet and turned on
No or Low Sound	a. Check the Volume Level and Mute Button b. Check the Audio System or Video Source Device
Remote Not Working	Check for good batteries and that the batteries are inserted correctly
For additional information	Check the applicable Owner's Manual posted on www.Konka-USA.com